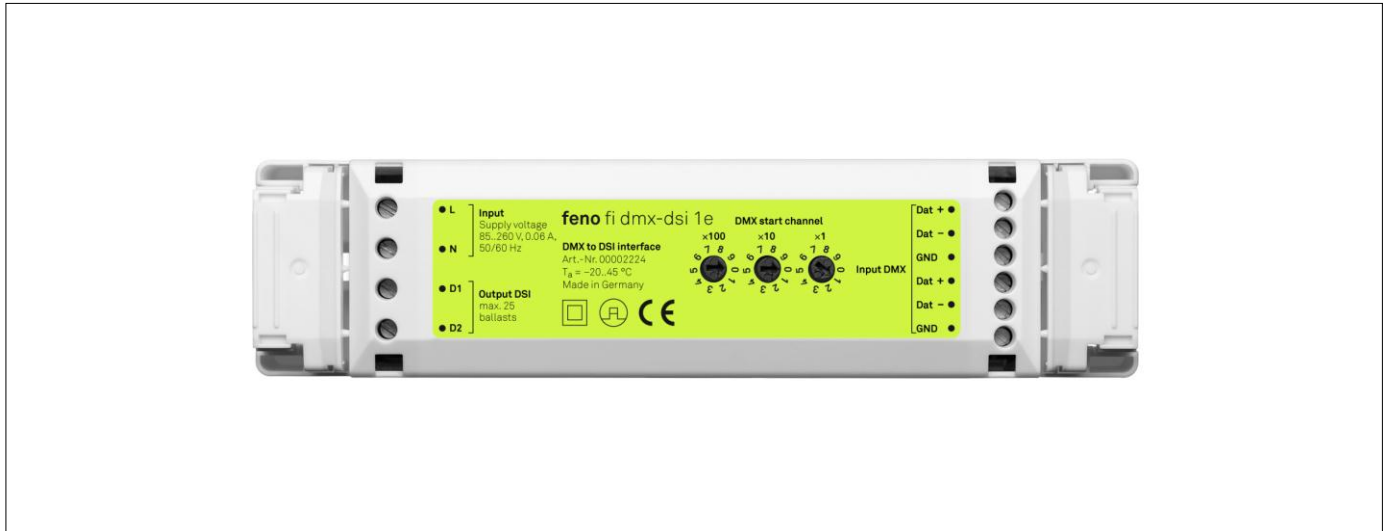


## fi dmx-dsi 1e

### DMX to DSI interface

DMX signal converter with four DSI outputs for safe and simple dimming of DSI receivers.



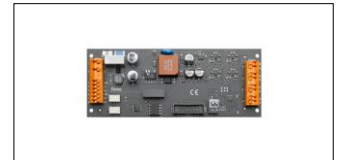
#### Properties

- DALI output with short circuit and reverse polarity protection
- safe galvanic separation of DMX (SELV) and DALI outputs to EN 60950
- with patented DMX signal amplifiers for relaying signals during power failure
- low-loss power supply with international input voltage range
- start channel easily adjustable via optional digital display
- can be controlled by external potentiometer in the absence of DMX signal
- PCB construction for integration in lighting systems.

#### Ordering Information

<b>Product name</b>	<b>fi dmx-dsi 1e</b>
<b>Item number</b>	0000 2224

#### Available Versions



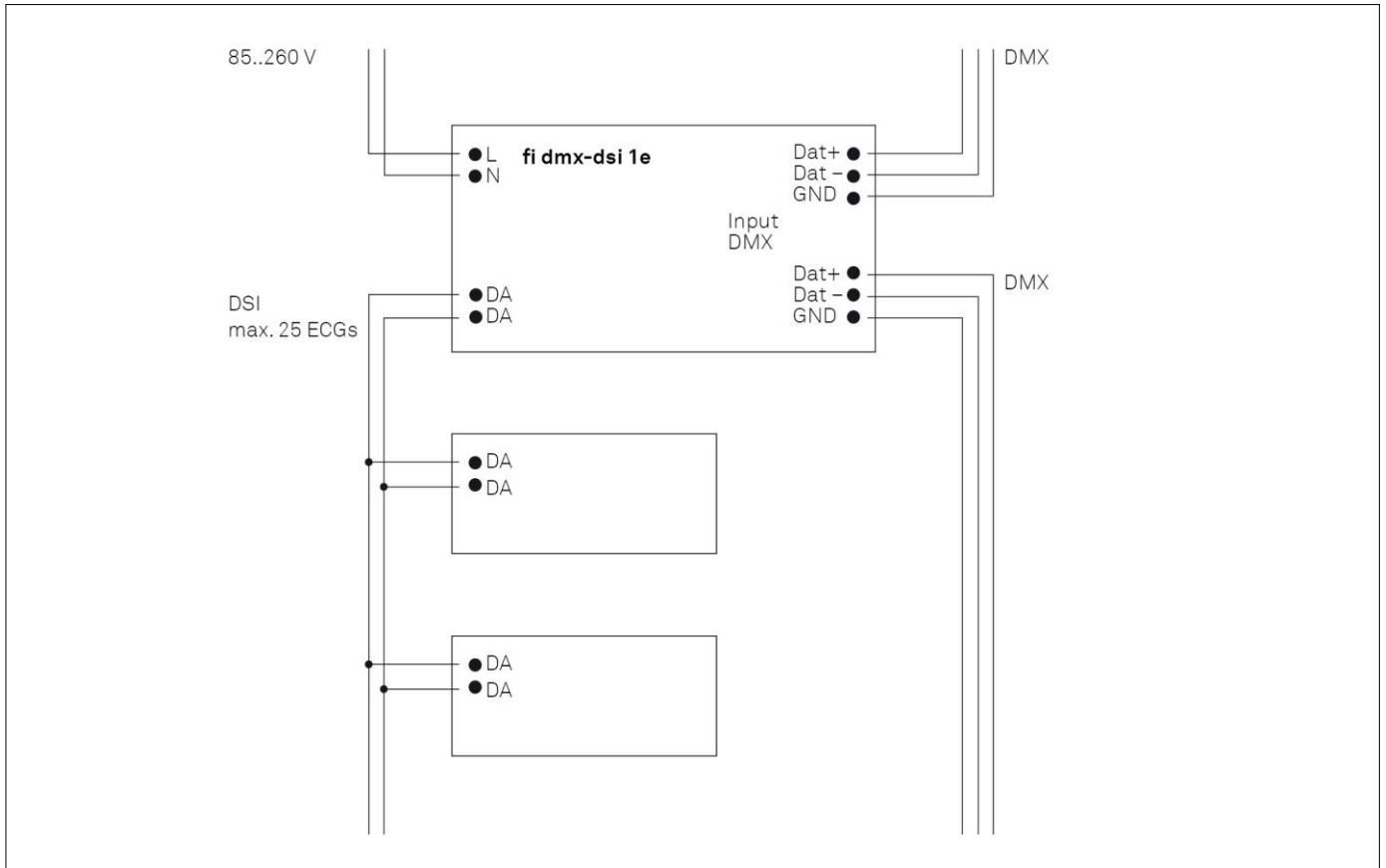
#### Combinable with the following feno products



## fi dmx-dsi 1e

DMX to DSI interface

### Wiring Diagram



### Technical Details

Supply voltage	85..260 V, 50/60 Hz
Power consumption	0,06 A max.
Control inputs	1
Control signal	DMX
Outputs	1
Output signal	DSI
Output load	25 electronic ballasts
Galvanic isolation	yes
Outputs short circuit proof	yes
Ambient temperature	-20..45 °C
Dimensions (L/W/H)	167 x 42 x 31 mm
Weight	110 g

### Standards

EN 61347-1  
 EN 61347-2-11  
 EN 60950-1  
 EN 61547  
 EN 55015  
 EN 61000-3-2  
 EN 61000-3-3