

fi dmx-dmx 1e

DMX splitter/booster

DMX signal amplifier for expanding extensive DMX cabling with electrical isolation.



Properties

- Amplifier for cable length in excess of 500 m or for more than 30 DMX receivers
- Splitter for star DMX configuration or for potential isolation
- Reliable electrical isolation of DMX input and DMX output (SELV) in accordance with EN 60950
- Version in plastic casing with cable clamp

Ordering Information

Product name	fi dmx-dmx 1e
Item number	0000 0230

Combinable with the following feno products



fc s.dmx 48d



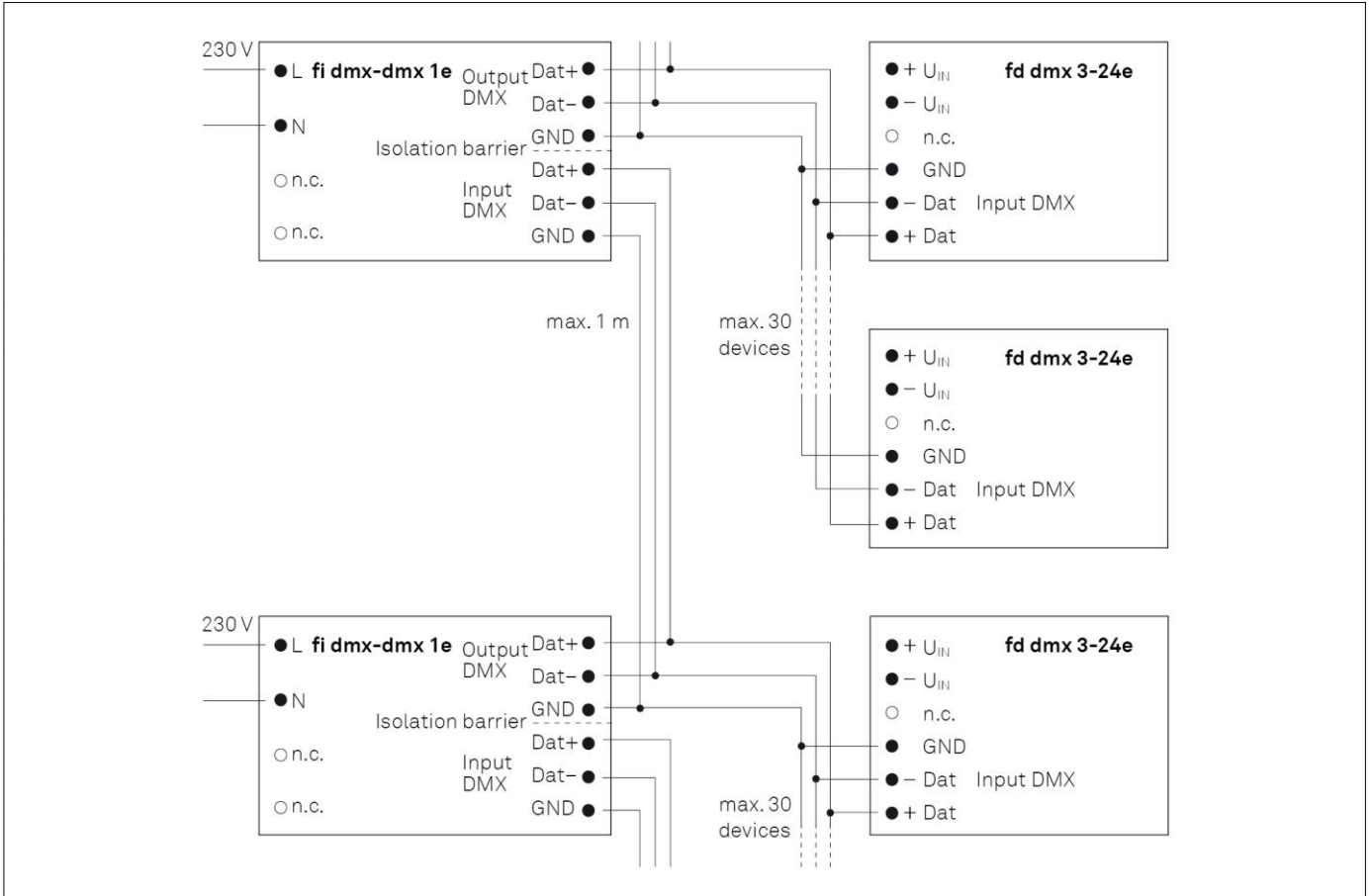
fc s.dmx 144d



fc dmx 512u

fi dmx-dmx 1e DMX splitter/booster

Wiring Diagram



Technical Details

Supply voltage	230 V, 50/60 Hz
Power consumption	0,02 A max.
Control inputs	1
Control signal	DMX
Outputs	1
Output signal	DMX
Galvanic isolation	yes
Outputs short circuit proof	yes
Ambient temperature	-20..45 °C
Dimensions (L/W/H)	167 x 42 x 31 mm
Weight	160 g

Standards

EN 61347-1
 EN 61347-2-11
 EN 60950-1
 EN 61547
 EN 55015
 EN 61000-3-2
 EN 61000-3-3