

fi dmx-dali 1

DMX to DALI interface

DMX signal converter with DALI output for safe and simple dimming of DALI receivers connected in parallel.



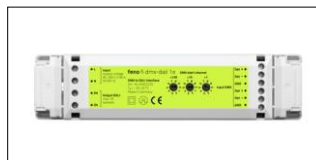
Properties

- DALI output with short circuit and reverse polarity protection
- simple configuration of DALI receivers by parallel switching without addressing
- safe galvanic separation of DMX (SELV) and DALI outputs to EN 60950
- low-loss power supply with international input voltage range
- start channel easily adjustable via optional digital display
- can be controlled by external potentiometer in the absence of DMX signal
- PCB construction for integration in lighting systems.

Ordering Information

Product name	fi dmx-dali 1
Item number	0000 1619

Available Versions



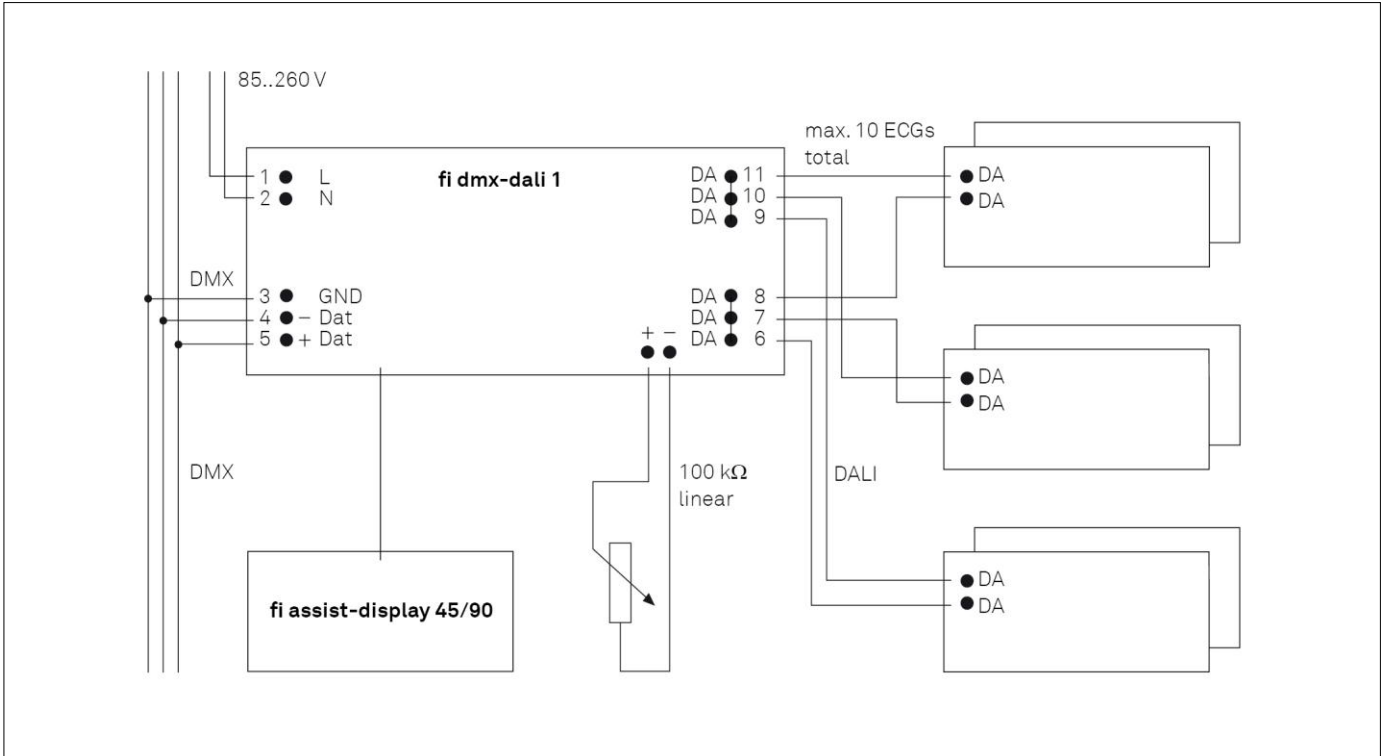
Combinable with the following feno products



fi dmx-dali 1

DMX to DALI interface

Wiring Diagram



Technical Details

Supply voltage	85..260 V, 50/60 Hz
Power consumption	0,03 A max.
Control inputs	1
Control signal	DMX
Outputs	1
Output channels	1 (broadcast)
Output signal	DALI (direct arc power)
Output load	10 electronic ballasts
Galvanic isolation	yes
Outputs short circuit proof	yes
Ambient temperature	-20..45 °C
Dimensions (L/W/H)	157,5 x 47 x 30 mm
Weight	80 g

Additional Information

- Display unit fi assist display-45 needed for setting the start channel (can be ordered separately)
- Controllable with potentiometer (100k lin.)

Standards

EN 61347-1
 EN 61347-2-11
 EN 60950-1
 EN 61547
 EN 55015
 EN 61000-3-2
 EN 61000-3-3