

## fc pwm 3e

### RGB PWM sequencer

Colored light controller for LED dimmers or 1-10 V control gear for additive color mixing with red, green and blue fluorescent lamps.



#### Properties

The result is an automatic color chase from blue to turquoise, green, yellow, red and magenta with soft fading in an endless loop. The speed of the preprogrammed chase changes as a function of the analog 1-10 V input voltage. A linear 100 kW potentiometer can also be used. If the control voltage is increased the chase at first runs at its highest speed and slows down as the voltage increases. At a control voltage of more than 9.8 V the current color is fixed and will not change again. Each PWM output can be loaded with up to 10 mA.

#### Ordering data

Product name	fc pwm 3e
Item number	00000011

#### Available versions



fc dali 3e



fc dsi 3e



fc s.multi 4d

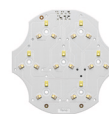
#### Combinable with products of the following categories



feno interface



feno dim

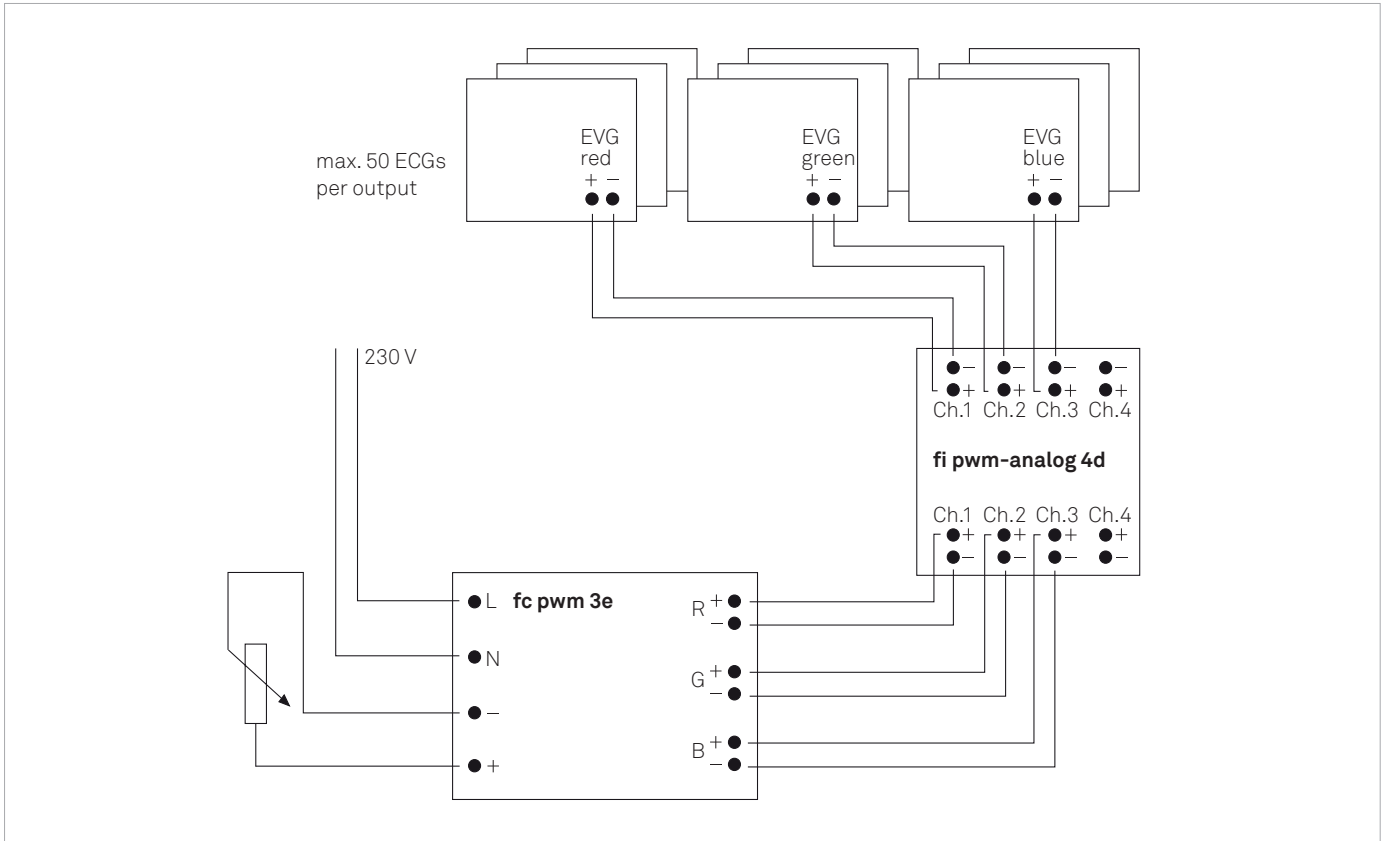


feno led modules

## fc pwm 3e

### RGB PWM sequencer

#### Wiring Diagram



#### Technical Details

Supply voltage	230 V, 50/60 Hz
Current draw	0,03 A max.
Light programs	1 (preprogrammed)
Inputs	1 x 1..10 V
Number of outputs	3
Number of control channels	3
Output signal	PWM 12V/240Hz
Output load	10 mA each channel
Short-circuit-proof outputs	yes
Temperature range	-20..45 °C
Dimensions (L/W/H)	167 x 42 x 31 mm
Weight	170 g

#### Additional Information

feno control software can be downloaded at [www.feno.com](http://www.feno.com).