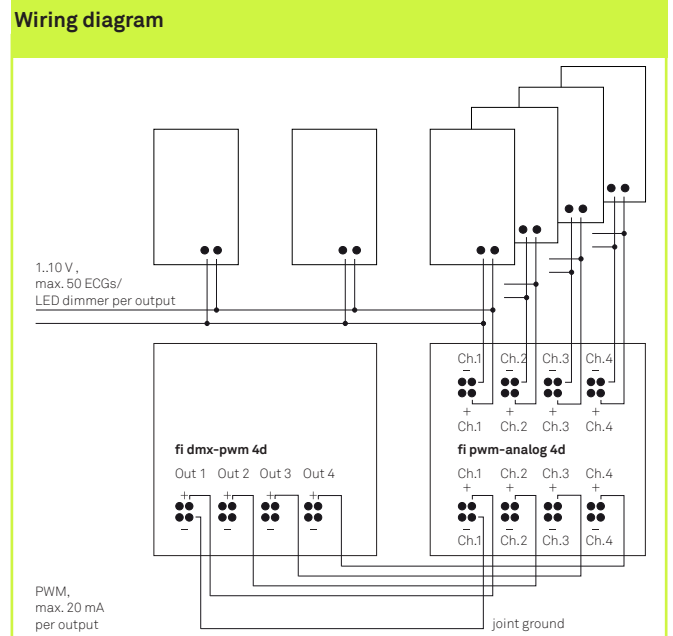
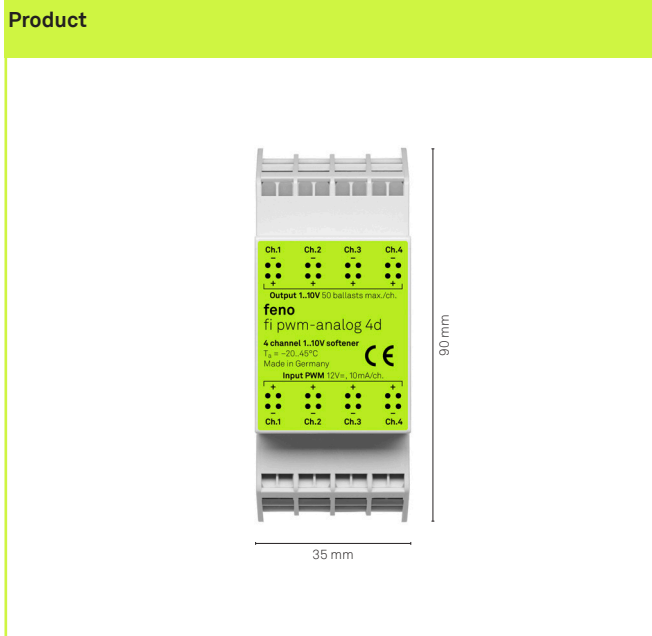


feno interface
fi pwm-analog 4d
 4 channel PWM to 1..10V interface



Technical details

Product name	fi pwm-analog 4d
Item number	00000035
Number of inputs	4
Input signal	PWM
Input load	12 V/10 mA per output
Number of outputs	4
Output signal	1..10 V (sink)
Output load	50 electronic ballasts per output
Temperature range	-20..45 °C
Dimensions (L/W/H)	35 x 90 x 60 mm
Weight	100 g
Compatible controllers	fi dmX-pwm 1, fi dmX-pwm 1e, fi dmX-pwm 4, fi dmX-pwm 4d

The smoothing module **fi pwm-analog 4d** enables **fi dmX-pwm 4d** to operate. This means that ECGs with 1-10 V interfaces that do not have their own smoothing function can be smoothly dimmed without a step effect. In the same way the product performs smoothing and buffering functions for LED dimmers, such as the **fd analog 1-24e**.

The 4-channel device operates without a supply voltage. The PWM signals are processed passively and forwarded to four 1-10 V outputs. 50 electronic ballasts or LED dimmers can be connected to each of these. As two smoothing modules can be operated in parallel on an **fi dmX-pwm 4d**, the output power is sufficient for large lighting solutions with up to four hundred 1-10 V control units. The product can be used for example in light ceilings, display panels, exhibition stands and facade and effect lighting systems equipped with fluorescent lamps or light emitting diodes.