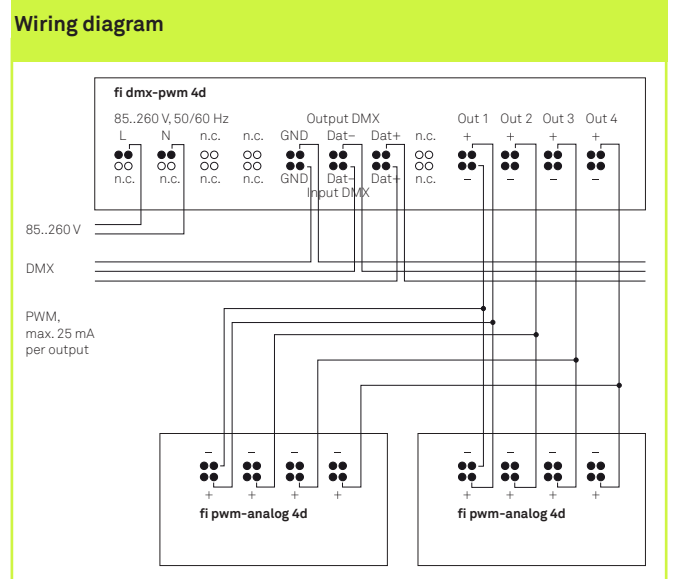


feno interface
fi dmx-pwm 4d
 4 channel DMX to PWM interface



Technical details

Product name	fi dmx-pwm 4d
Item number	00002315
Supply voltage	85..260 V, 50/60 Hz
Current draw	0.04 A max.
Number of inputs	1
Input signal	DMX
Input signal (loop-through)	yes (active amplification)
Number of outputs	4
Output signal	PWM (12 V, 240 Hz)
Output load	25 mA per output
Galvanic isolation input/output	yes
Short-circuit-proof outputs	yes
Temperature range	-20..45 °C
Dimensions (L/W/H)	105 x 90 x 60 mm
Weight	250 g
Available versions	fi dmx-pwm 1, fi dmx-pwm 1e, fi dmx-pwm 4
Compatible controllers	fc s.dmx 48d, fc s.dmx 144d, fc dmx 512u

The fi dmx-pwm 4d converter enables digital ballasts with a PWM interface to understand the high-speed DMX protocol that can handle up to 512 channels. They can be switched and dimmed via DMX because the unit converts DMX signals into PWM signals. Our fi pwm-analog 4d smoothing module is also needed.

because the last value sent is stored and replayed as a static scene. Even without a DMX signal. Electrical separation of the input and output, and connections that are protected against polarity reversal and short-circuits ensure a high level of safety. The universal power supply of 85 to 260 V offers a high degree of flexibility.

The signal converter is mounted on a DIN rail in a DIN switching cabinet. Thanks to its status display and integrated test function for startup, the product is easy to operate. The built-in amplifier ensures that the DMX signal remains stable even if several receivers are connected to a channel. The patented safety function prevents the entire DMX string from failing if an individual device fails