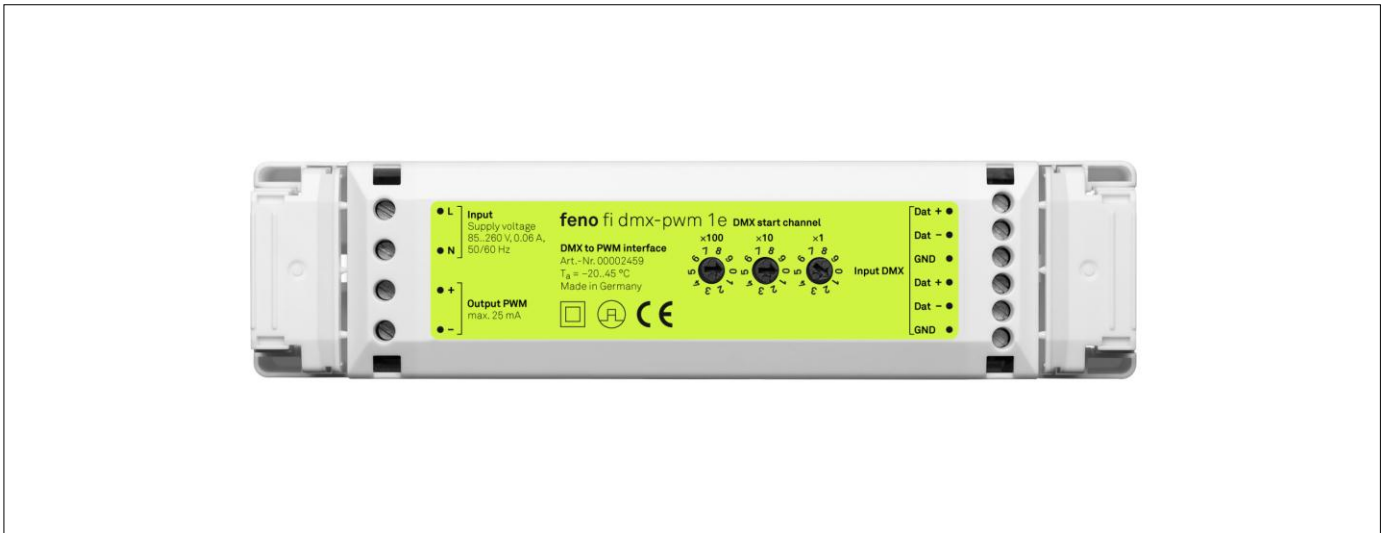


## fi dmx-pwm 1e

### DMX to PWM interface

DMX signal converter with four PWM outputs for safe and simple dimming of 1..10V receivers together with smoothing module fi pwm-analog 4d.



#### Properties

- PWM output with short circuit and reverse polarity protection
- safe galvanic separation of DMX (SELV) and DALI outputs to EN 60950
- with patented DMX signal amplifiers for relaying signals during power failure
- low-loss power supply with international input voltage range
- start channel easily adjustable via optional digital display
- can be controlled by external potentiometer in the absence of DMX signal
- PCB construction for integration in lighting systems.

#### Ordering Information

<b>Product name</b>	<b>fi dmx-pwm 1e</b>
<b>Item number</b>	0000 2459

#### Available Versions

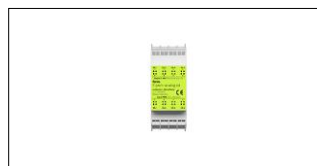


fi dmx-pwm 4



fi dmx-pwm 4d

#### Combinable with the following feno products



fi pwm-analog 4d



fc s.dmx 48d



fc s.dmx 144d

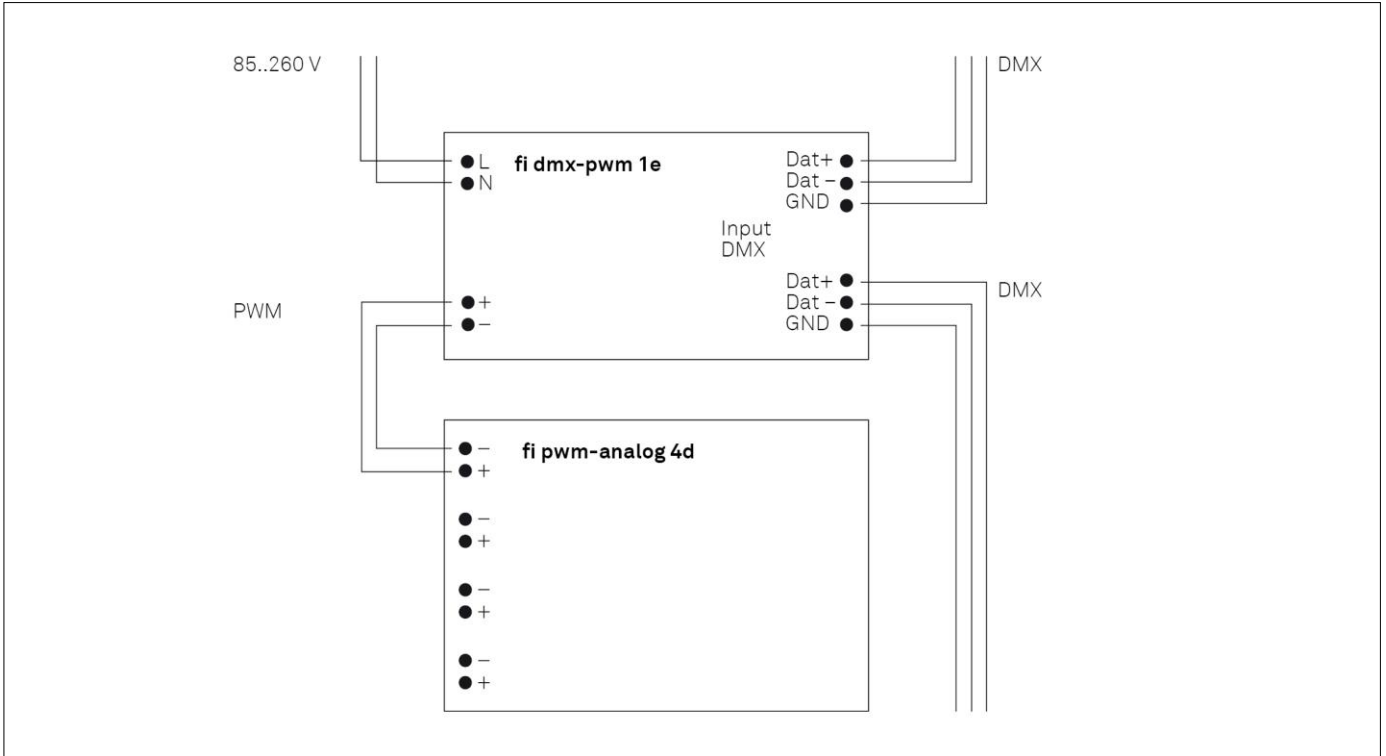


fc dmx 512u

## fi dmx-pwm 1e

DMX to PWM interface

### Wiring Diagram



### Technical Details

<b>Supply voltage</b>	85..260 V, 50/60 Hz
<b>Power consumption</b>	0,06 A max.
<b>Control inputs</b>	1
<b>Control signal</b>	DMX
<b>Outputs</b>	1
<b>Output signal</b>	PWM 12 V/240 Hz
<b>Output load</b>	25 mA
<b>Galvanic isolation</b>	yes
<b>Outputs short circuit proof</b>	yes
<b>Ambient temperature</b>	-20..45 °C
<b>Dimensions (L/W/H)</b>	167 x 42 x 31 mm
<b>Weight</b>	110 g

### Additional Information

- Smoothing module fi pwm-analog 4d needed to run 1..10V receivers flicker-free (can be ordered separately)

### Standards

EN 61347-1  
 EN 61347-2-11  
 EN 60950-1  
 EN 61547  
 EN 55015  
 EN 61000-3-2  
 EN 61000-3-3