

## fi dmx-dsi 4d

### 4 channel DMX to DSI interface

DMX signal converter with PWM output for safe and simple dimming of 1..10V receivers together with smoothing module fi pwm-analog 4d.



#### Properties

- PWM output with short circuit and reverse polarity protection
- safe galvanic separation of DMX (SELV) and DALI outputs to EN 60950
- low-loss power supply with international input voltage range
- start channel easily adjustable via rotary switch
- plastic housing construction with cable grip

#### Ordering Information

Product name	<b>fi dmx-dsi 4d</b>
Item number	0000 2314

#### Available Versions



fi dmx-dsi 1



fi dmx-dsi 1e



fi dmx-dsi 4

#### Combinable with the following feno products



fc s.dmx 48d



fc s.dmx 144d

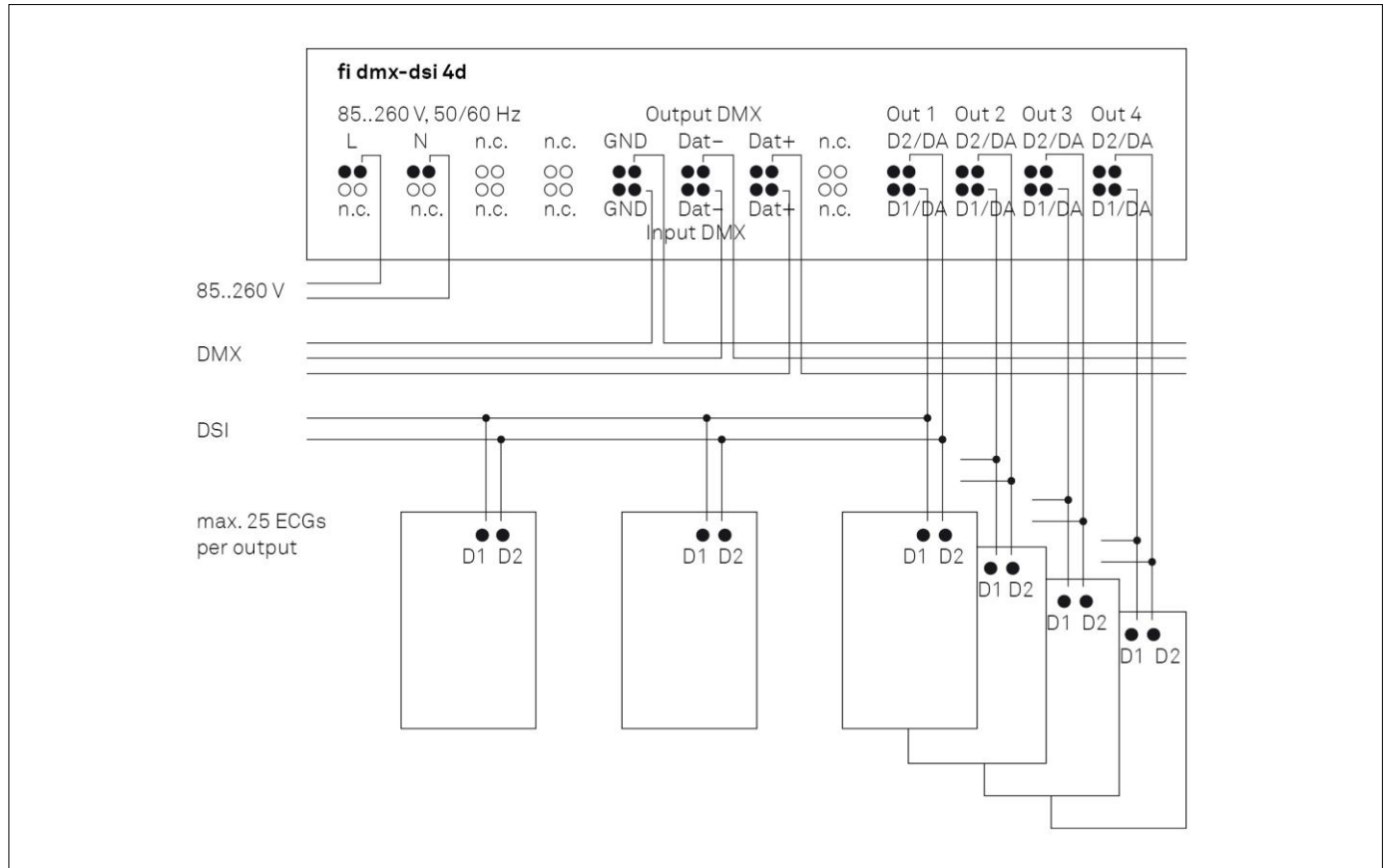


fc dmx 512u

## fi dmx-dsi 4d

4 channel DMX to DSI interface

### Wiring Diagram



### Technical Details

Supply voltage	85..260 V, 50/60 Hz
Power consumption	0,04 A max.
Control inputs	1
Control signal	DMX
Input signal (loop-through)	yes (active amplification)
Outputs	4
Output signal	DSI
Output load	25 electronic ballasts per output
Galvanic isolation	yes
Outputs short circuit proof	yes
Ambient temperature	-20..45 °C
Dimensions (L/W/H)	105 x 90 x 60 mm
Weight	250 g

### Standards

EN 61347-1  
 EN 61347-2-11  
 EN 60950-1  
 EN 61547  
 EN 55015  
 EN 61000-3-2  
 EN 61000-3-3