

## fi dmx-dsi 4

### 4 channel DMX to DSI interface

DMX signal converter with four DSI outputs for safe and simple dimming of DSI receivers.



#### Properties

- DALI output with short circuit and reverse polarity protection
- safe galvanic separation of DMX (SELV) and DALI outputs to EN 60950
- with patented DMX signal amplifiers for relaying signals during power failure
- low-loss power supply with international input voltage range
- start channel easily adjustable via digital display
- status display for DMX signal and integrated test function
- plastic housing construction for DIN rail mounting

#### Available Versions



fi dmx-dsi 1



fi dmx-dsi 1e



fi dmx-dsi 4d

#### Ordering Information

<b>Product name</b>	<b>fi dmx-dsi 4</b>
<b>Item number</b>	0000 2193

#### Combinable with the following feno products



fc s.dmx 48d



fc s.dmx 144d

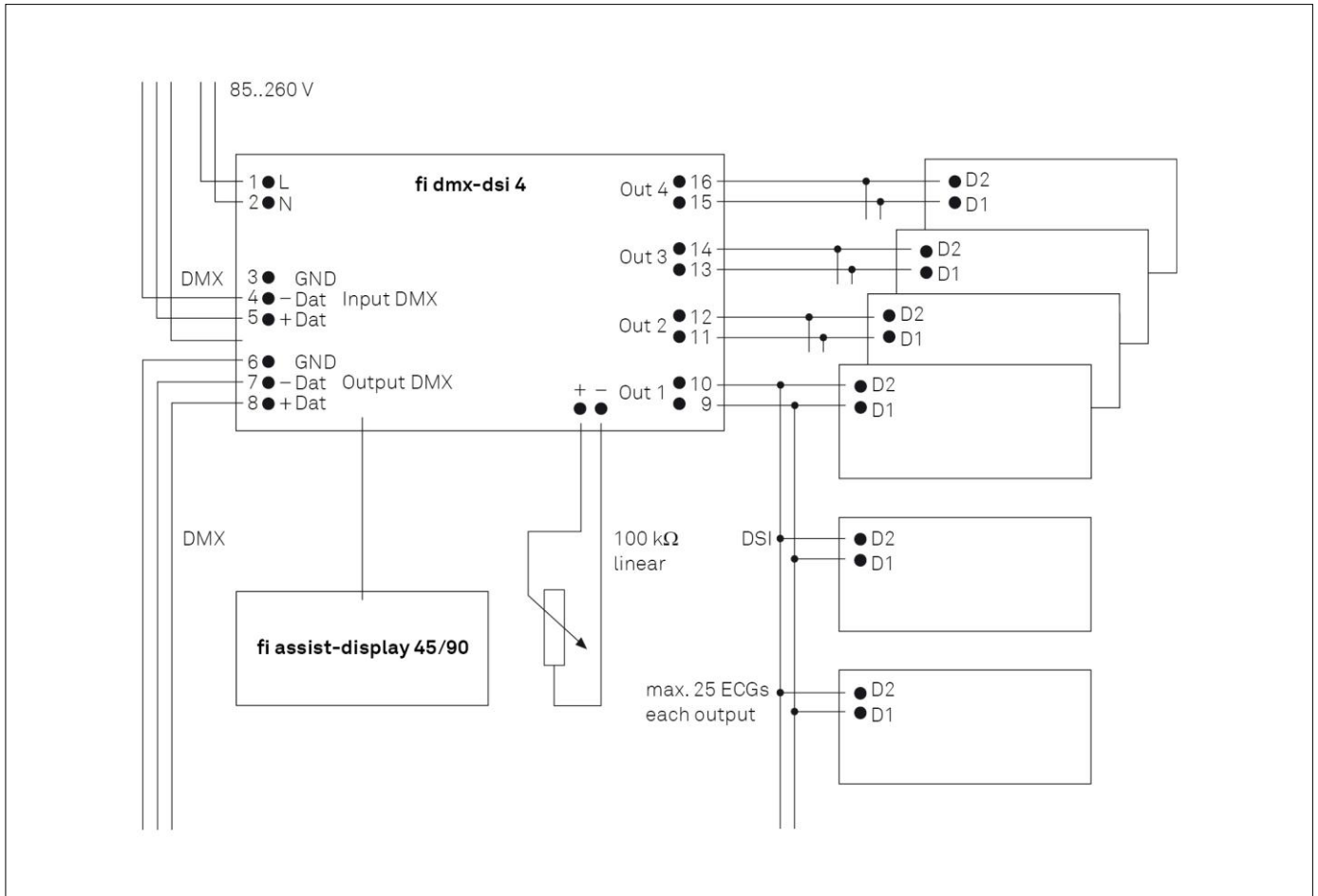


fc dmx 512u

## fi dmx-dsi 4

4 channel DMX to DSI interface

### Wiring Diagram



### Technical Details

<b>Supply voltage</b>	85..260 V, 50/60 Hz
<b>Power consumption</b>	0,04 A max.
<b>Control inputs</b>	1
<b>Control signal</b>	DMX
<b>Input signal (loop-through)</b>	yes (active amplification)
<b>Outputs</b>	4
<b>Output signal</b>	DSI
<b>Output load</b>	25 electronic ballasts per output
<b>Galvanic isolation</b>	yes
<b>Outputs short circuit proof</b>	yes
<b>Ambient temperature</b>	-20..45 °C
<b>Dimensions (L/W/H)</b>	159 x 62,5 x 30 mm
<b>Weight</b>	100 g

### Additional Information

- Display unit fi assist display-45 needed for setting the start channel (can be ordered separately)
- Controllable with potentiometer (100k lin.)

### Standards

EN 61347-1  
 EN 61347-2-11  
 EN 60950-1  
 EN 61547  
 EN 55015  
 EN 61000-3-2  
 EN 61000-3-3