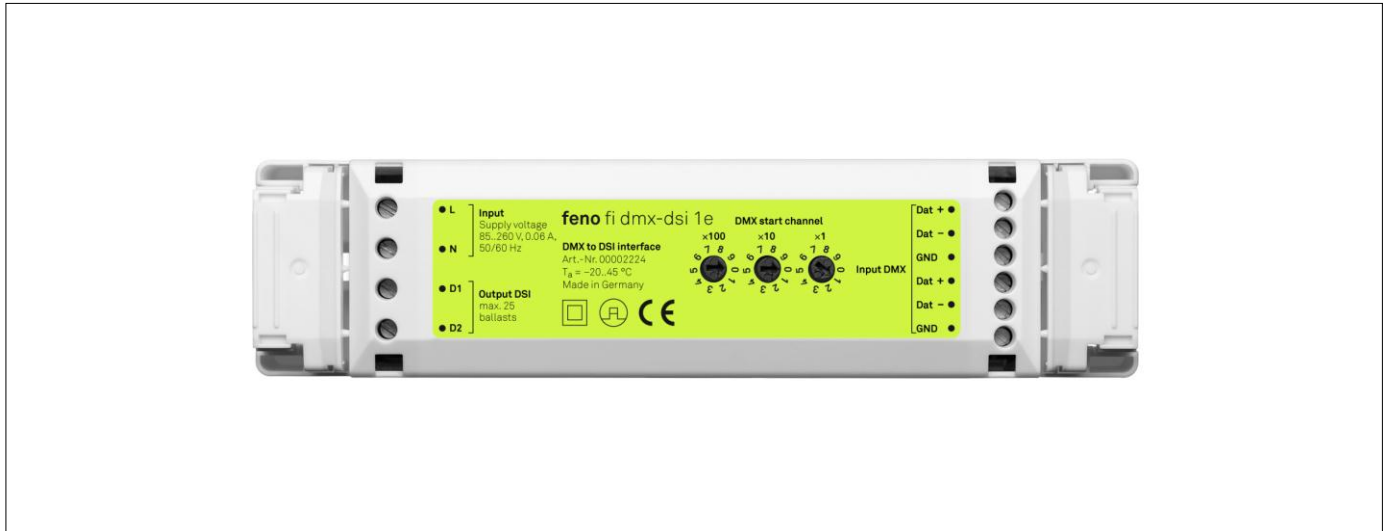


## fi dmx-dsi 1e

### DMX to DSI interface

DMX signal converter with four DSI outputs for safe and simple dimming of DSI receivers.



#### Properties

- DALI output with short circuit and reverse polarity protection
- safe galvanic separation of DMX (SELV) and DALI outputs to EN 60950
- with patented DMX signal amplifiers for relaying signals during power failure
- low-loss power supply with international input voltage range
- start channel easily adjustable via optional digital display
- can be controlled by external potentiometer in the absence of DMX signal
- PCB construction for integration in lighting systems.

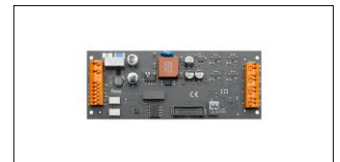
#### Ordering Information

Product name	fi dmx-dsi 1e
Item number	0000 2224

#### Available Versions



fi dmx-dsi 1



fi dmx-dsi 4



fi dmx-dsi 4d

#### Combinable with the following feno products



fc s.dmx 48d



fc s.dmx 144d

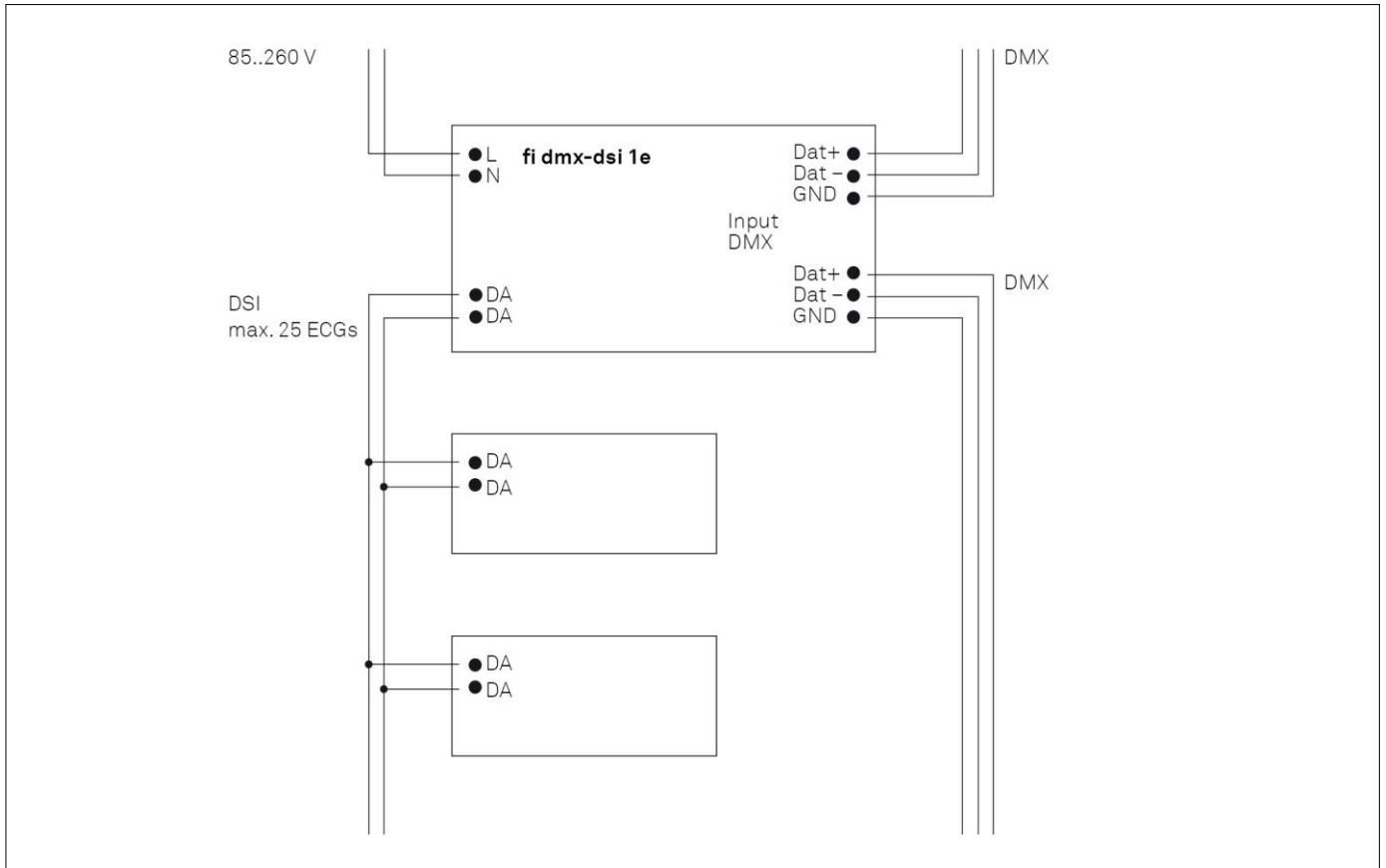


fc dmx 512u

## fi dmx-dsi 1e

### DMX to DSI interface

#### Wiring Diagram



#### Technical Details

<b>Supply voltage</b>	85..260 V, 50/60 Hz
<b>Power consumption</b>	0,06 A max.
<b>Control inputs</b>	1
<b>Control signal</b>	DMX
<b>Outputs</b>	1
<b>Output signal</b>	DSI
<b>Output load</b>	25 electronic ballasts
<b>Galvanic isolation</b>	yes
<b>Outputs short circuit proof</b>	yes
<b>Ambient temperature</b>	-20..45 °C
<b>Dimensions (L/W/H)</b>	167 x 42 x 31 mm
<b>Weight</b>	110 g

#### Standards

EN 61347-1  
 EN 61347-2-11  
 EN 60950-1  
 EN 61547  
 EN 55015  
 EN 61000-3-2  
 EN 61000-3-3