

fi dmx-dsi 1

DMX to DSI interface

DMX signal converter with DSI output for safe and simple dimming of DSI receivers.



Properties

- DALI output with short circuit and reverse polarity protection
- safe galvanic separation of DMX (SELV) and DALI outputs to EN 60950
- low-loss power supply with international input voltage range
- start channel easily adjustable via rotary switch
- plastic housing construction with cable grip

Ordering Information

Product name	fi dmx-dsi 1
Item number	0000 2397

Available Versions



fi dmx-dsi 1e



fi dmx-dsi 4



fi dmx-dsi 4d

Combinable with the following feno products



fc s.dmx 48d



fc s.dmx 144d

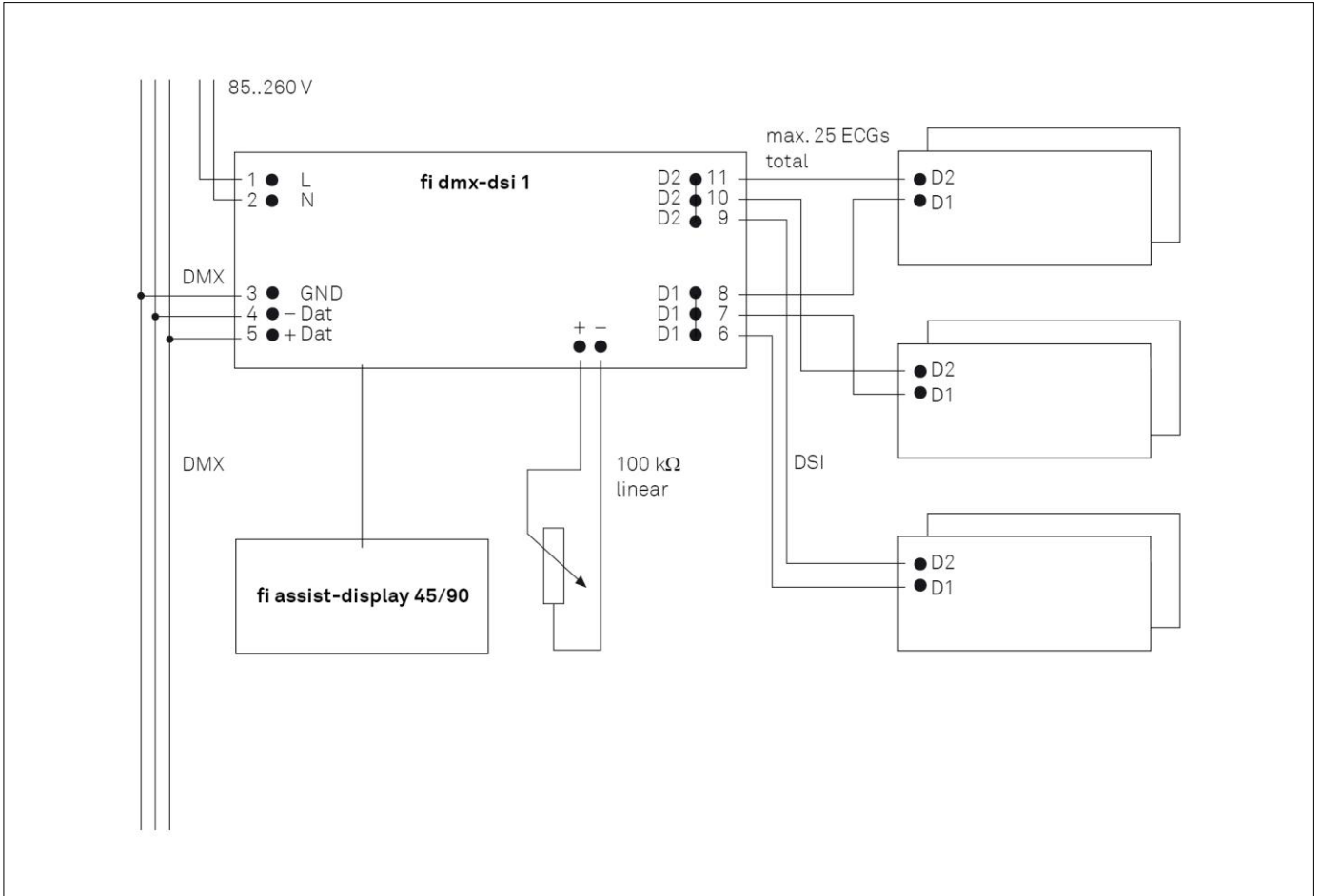


fc dmx 512u

fi dmx-dsi 1

DMX to DSI interface

Wiring Diagram



Technical Details

Supply voltage	85..260 V, 50/60 Hz
Power consumption	0,03 A max.
Control inputs	1
Control signal	DMX
Outputs	1
Output signal	DSI
Output load	25 electronic ballasts
Galvanic isolation	yes
Outputs short circuit proof	yes
Ambient temperature	-20..45 °C
Dimensions (L/W/H)	157,5 x 47 x 30 mm
Weight	80 g

Additional Information

- Display unit fi assist display-45 needed for setting the start channel (can be ordered separately)
- Controllable with potentiometer (100k lin.)

Standards

EN 61347-1
 EN 61347-2-11
 EN 60950-1
 EN 61547
 EN 55015
 EN 61000-3-2
 EN 61000-3-3