

fi dmx-dali 4d

4 channel DMX to DALI interface

DMX signal converter with four DALI outputs for safe and simple dimming of DALI receivers connected in parallel.



Properties

- DALI output with short circuit and reverse polarity protection
- simple configuration of DALI receivers by parallel switching without addressing
- safe galvanic separation of DMX (SELV) and DALI outputs to EN 60950
- with patented DMX signal amplifiers for relaying signals during power failure
- low-loss power supply with international input voltage range
- start channel easily adjustable via digital display
- status display for DMX signal and integrated test function
- plastic housing construction for DIN rail mounting

Ordering Information

Product name	fi dmx-dali 4d
Item number	0000 2312

Available Versions



fi dmx-dali 1



fi dmx-dali 1e



fi dmx-dali 4

Combinable with the following feno products



fc s.dmx 48d



fc s.dmx 144d

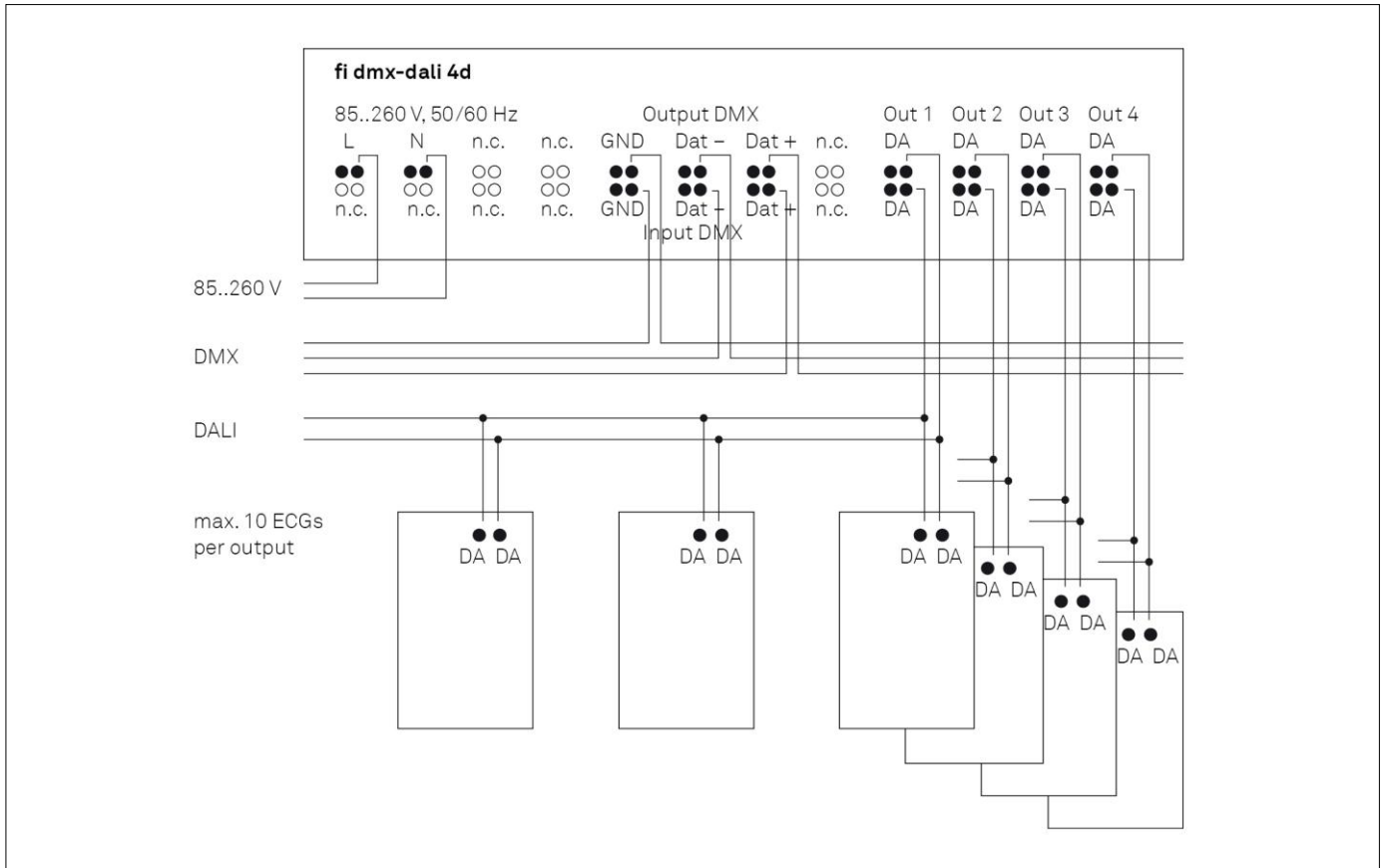


fc dmx 512u

fi dmx-dali 4d

4 channel DMX to DALI interface

Wiring Diagram



Technical Details

Supply voltage	85..260 V, 50/60 Hz
Power consumption	0,04 A max.
Control inputs	1
Control signal	DMX
Input signal (loop-through)	yes (active amplification)
Outputs	4
Output channels	1 (broadcast)
Output signal	DALI (direct arc power)
Output load	10 electronic ballasts per output
Galvanic isolation	yes
Outputs short circuit proof	yes
Ambient temperature	-20..45 °C
Dimensions (L/W/H)	105 x 90 x 60 mm
Weight	250 g

Additional Information

- Integrated test function for dimm values 0..100% possible without DMX signal using start channels 900..000 on status display

Standards

EN 61347-1
 EN 61347-2-11
 EN 60950-1
 EN 61547
 EN 55015
 EN 61000-3-2
 EN 61000-3-3