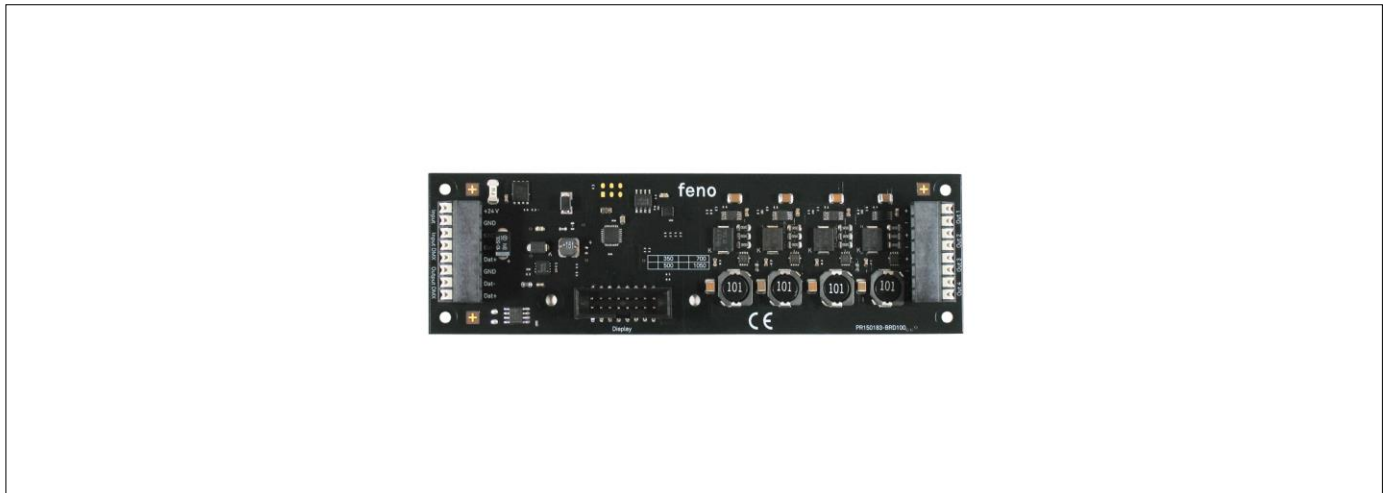


fd dmx 4-24 700 c

RGBW DMX LED current dimmer

Digital RGBW LED current dimmer with four 700mA-outputs. For flickerfree footage even with HD-capable cameras.



Properties

- Current dimmer without pulse width modulation for flickerfree footage even with HD-capable cameras
- Protected against short-circuit and overtemperature
- 4 channels for RGBW LED modules
- Dimming curve matched to eye sensitivity
- Digital control with DMX control devices
- PCB construction for integration in lighting systems
- Start channel easily adjustable via optional digital display

Ordering Information

Product name	fd dmx 4-24 700 c
Item number	0000 3235

Available Versions



fd dmx 3-24e 700 c



fd dmx 1-24 700 c

Combinable with the following feno products



fi assist display-45



fc s.dmx 48d



fc s.dmx 144d

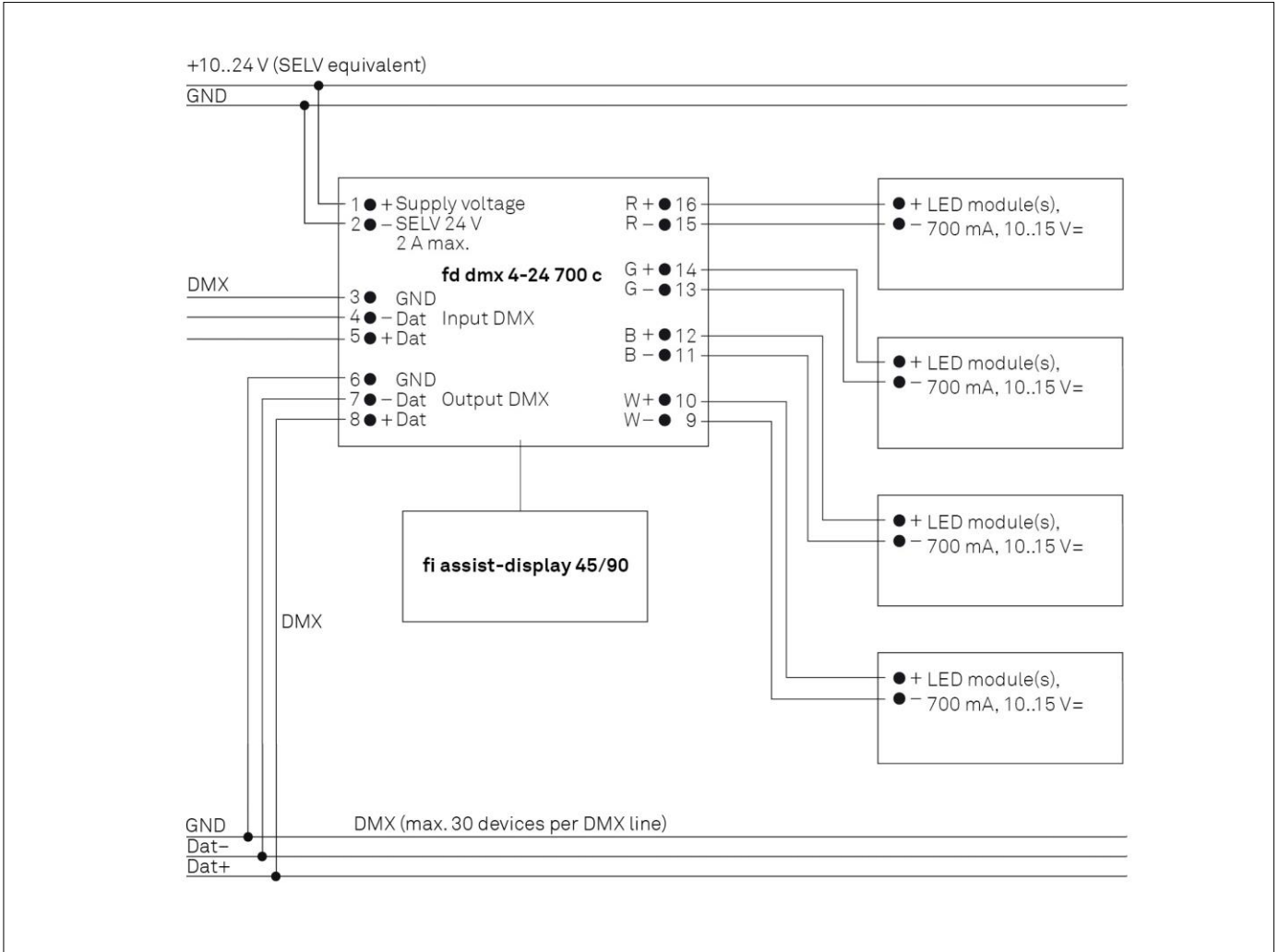


fo dmx 512u

fd dmx 4-24 700 c

RGBW DMX LED current dimmer

Wiring Diagram



Technical Details

Supply voltage	24 V DC (SELV)
Power consumption	2 A max.
Control inputs	1
Control signal	DMX
Operating mode	Current dimmer
Outputs	4
Dimming frequency / internal	12 Bit
Output voltage	10..15 V DC
Output load	4 x 700 mA
Outputs short circuit proof	yes
Ambient temperature	-20..45 °C
Dimensions (L/W/H)	157,5 x 47 x 15 mm
Weight	50 g

Additional Information

- Different supply and output voltage possible on demand
- Additional fi assist display-45/90 can be ordered separately

Standards

- EN 61347-1
- EN 61347-2-11
- EN 61347-2-13
- EN 55015
- EN 61547
- EN 61000-3-2
- EN 61000-3-3