

fd dmx 3-24e 700 c

RGB DMX LED current dimmer

Digital RGB LED current dimmer with three 700mA-outputs. For flickerfree footage even with HD-capable cameras.



Properties

- Current dimmer without pulse width modulation for flickerfree footage even with HD-capable cameras
- Protected against short-circuit and overtemperature
- 3 channels for RGB LED modules
- Dimming curve matched to eye sensitivity
- Digital control with DMX control devices
- Plastic housing construction with cable grip
- Start channel easily adjustable via rotary switch

Ordering Information

| | |
|--------------|---------------------------|
| Product name | fd dmx 3-24e 700 c |
| Item number | 0000 3373 |

Available Versions



fd dmx 4-24 700 ca



fd dmx 1-24 700 ca

Combinable with the following feno products



fc s.dmx 48d



fc s.dmx 144d

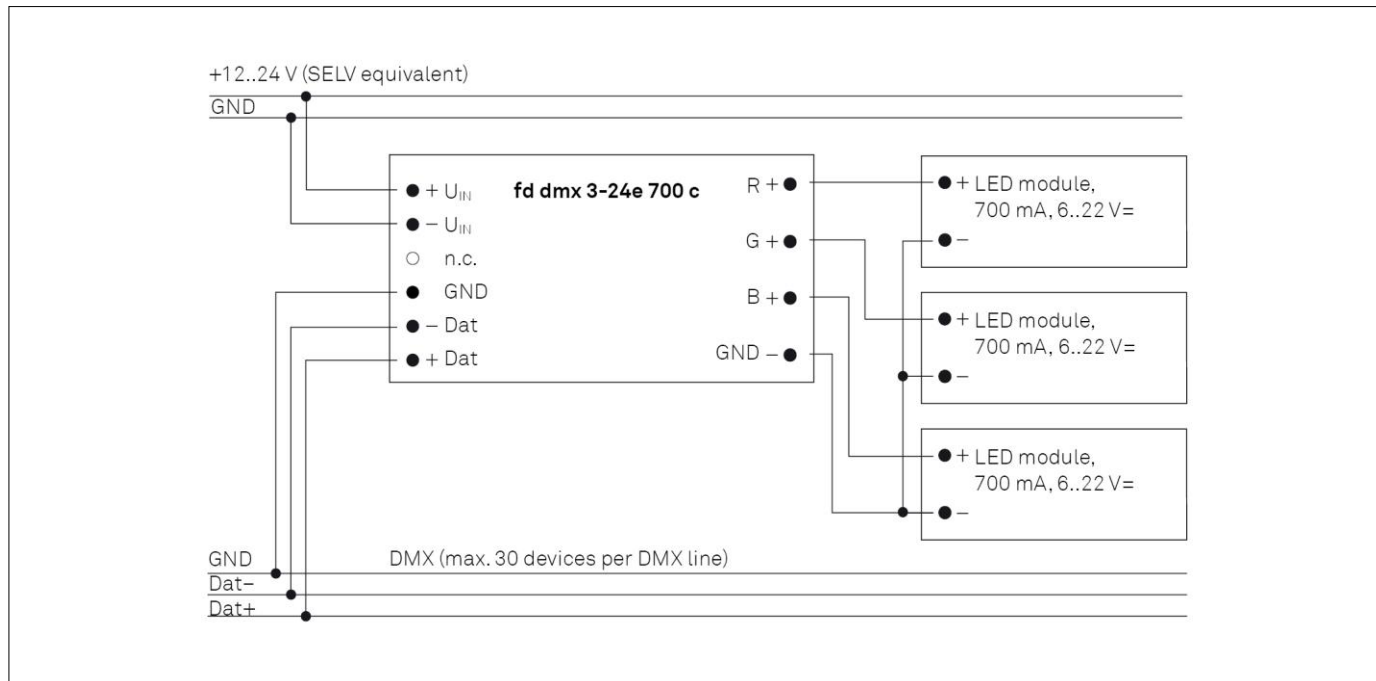


fc dmx 512u

fd dmx 3-24e 700 c

RGB DMX LED current dimmer

Wiring Diagram



Technical Details

| | |
|------------------------------|------------------|
| Supply voltage | 24 V DC (SELV) |
| Power consumption | 2,5 A max. |
| Control inputs | 1 |
| Control signal | DMX |
| Operating mode | Current dimmer |
| Outputs | 3 |
| Dimming frequency / internal | 12 Bit |
| Output voltage | 6..22 V DC |
| Output load | 3 x 700 mA |
| Outputs short circuit proof | yes |
| Ambient temperature | -20..45 °C |
| Dimensions (L/W/H) | 167 x 42 x 31 mm |
| Weight | 90 g |

Additional Information

- Different supply and output voltage possible on demand

Standards

EN 61347-1
 EN 61347-2-11
 EN 61347-2-13
 EN 55015
 EN 61547
 EN 61000-3-2
 EN 61000-3-3