

## fd dali 3-48e

### RGB DALI LED dimmer

Digital RGB LED dimmer with three 3A constant voltage outputs for smooth control, especially in lower dimming range.



#### Properties

- Robust constant voltage dimmer with high current capacity
- Protected against short-circuit and overtemperature
- Smooth dimming control even in the lowest range
- Dimming curve matched to eye sensitivity
- Digital control with DALI control devices
- Plastic housing construction with cable grip

#### Ordering Information

Product name	fd dali 3-48e
Item number	0000 4027

#### Available Versions



fd dali 1-48e

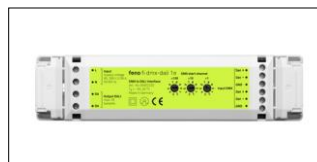
#### Combinable with the following feno products



fd booster 3-48e



fc s.multi 4d

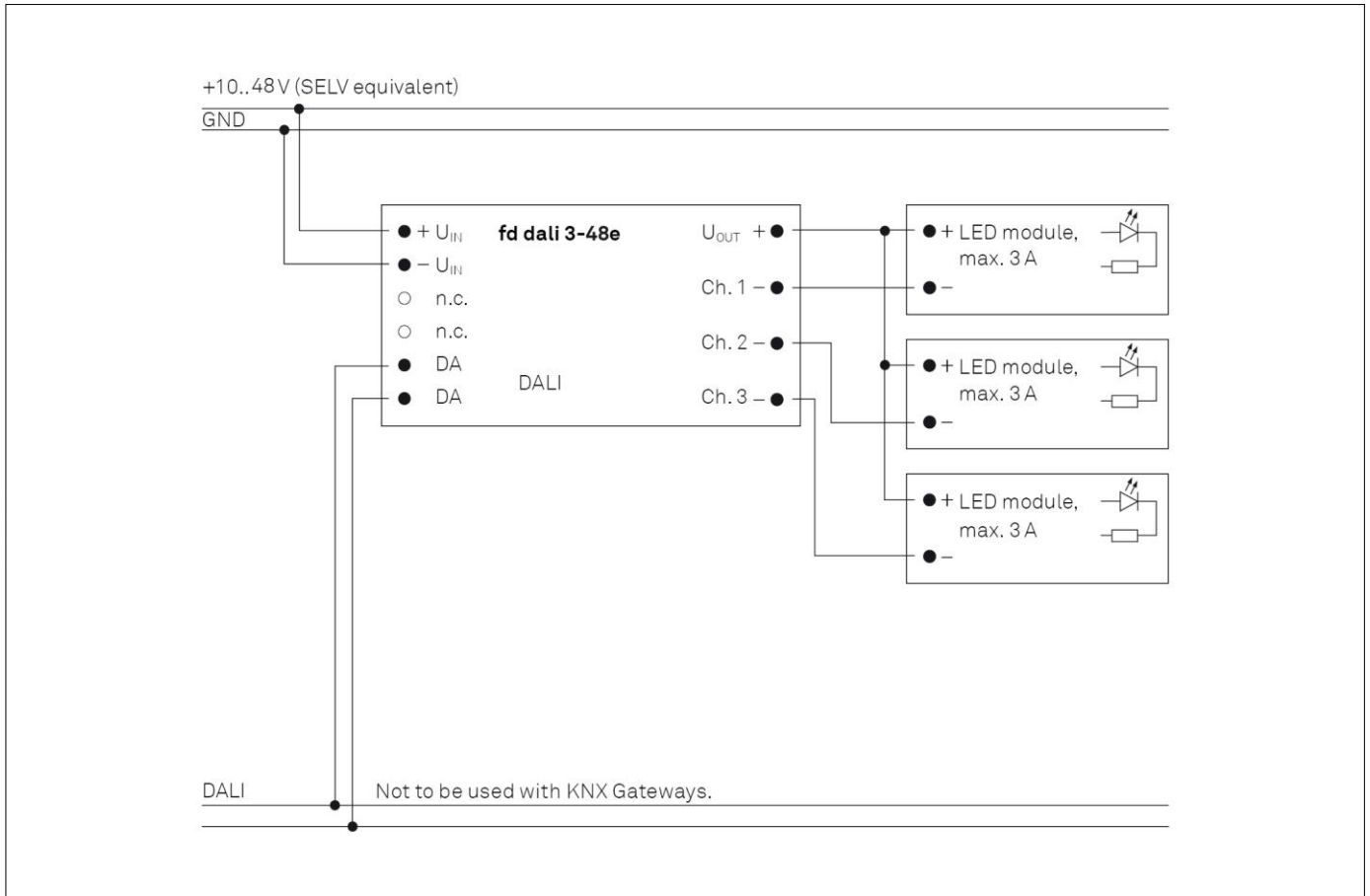


fi dmx-dali 1e

## fd dali 3-48e

RGB DALI LED dimmer

### Wiring Diagram



### Technical Details

Supply voltage	10..48 V DC (SELV)
Power consumption	9,2 A max.
Control inputs	1
Control signal	DALI
Operating mode	Constant voltage
Outputs	3
Dimming frequency / internal	240 Hz/16 Bit
Output voltage	10..48 V DC
Output load	3 x 3 A
Galvanic isolation	yes
Outputs short circuit proof	yes
Ambient temperature	-20..45 °C
Dimensions (L/W/H)	167 x 42 x 31 mm
Weight	90 g

### Additional Information

- Not for use in EIB/KNX-Gateways

### Standards

EN 61347-1  
 EN 61347-2-11  
 EN 61347-2-13  
 EN 55015  
 EN 61547  
 EN 61000-3-2  
 EN 61000-3-3