

fd booster 1-24e

PWM booster

Digital RGB PWM dimmer amplifier with 6A constant voltage output for galvanically separated power amplification of RGB LED dimmers.



Properties

- Robust constant voltage amplifier with high current capacity
- Protected against short-circuit and overtemperature
- Allows different supply voltages within a dimming range
- Plastic housing construction with cable grip

Ordering Information

Product name	fd booster 1-24e
Item number	0000 3055

Combinable with the following feno products



fd analog 1-24e



fd multi 1-24e

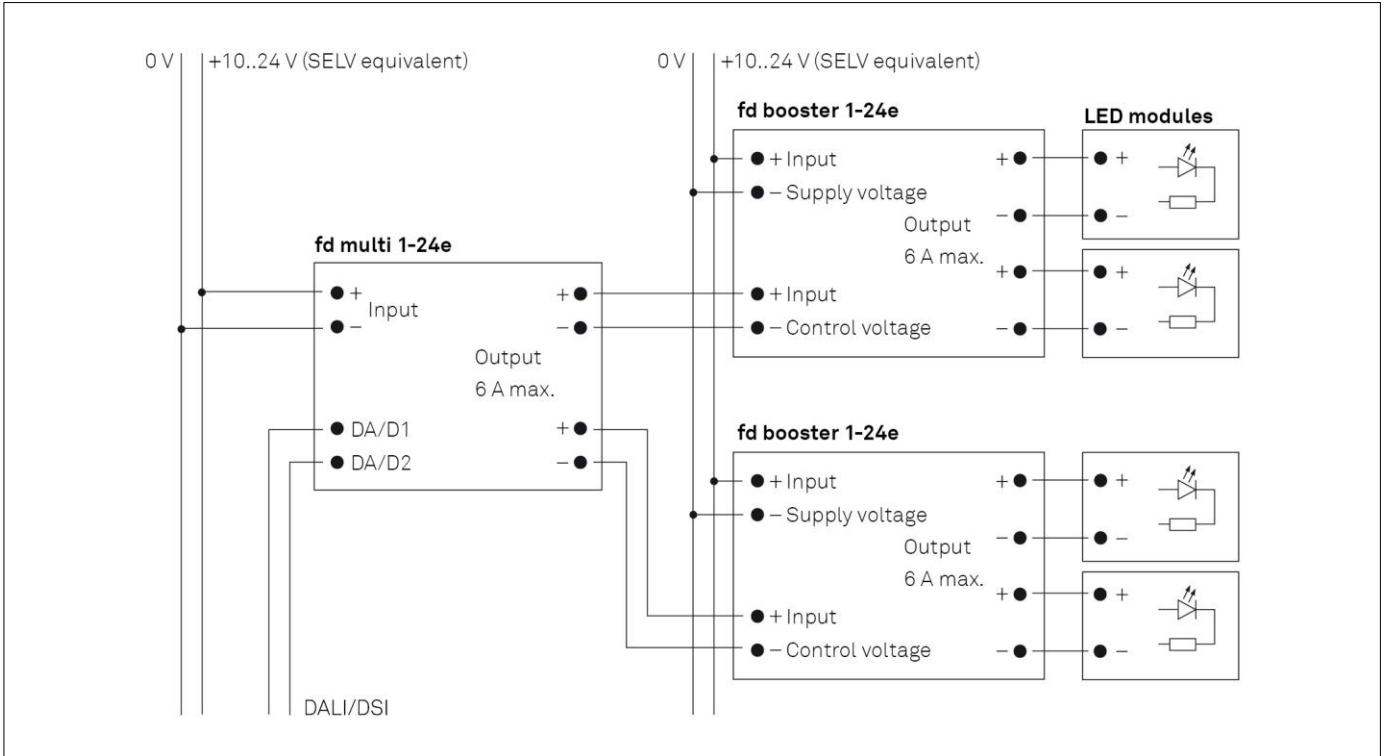


fd dmx 1-24e

fd booster 1-24e

PWM booster

Wiring Diagram



Technical Details

Supply voltage	10..24 V DC (SELV)
Power consumption	6,2 A max.
Control inputs	1
Control signal	PWM 10..24 V DC/15mA
Operating mode	Constant voltage
Outputs	1
Dimming frequency / internal	240 Hz/16 Bit
Output voltage	10..24 V DC
Output load	1 x 6 A
Galvanic isolation	yes
Outputs short circuit proof	yes
Ambient temperature	-20..45 °C
Dimensions (L/W/H)	167 x 42 x 31 mm
Weight	90 g

Standards

EN 61347-1
 EN 61347-2-11
 EN 61347-2-13
 EN 55015
 EN 61547
 EN 61000-3-2
 EN 61000-3-3