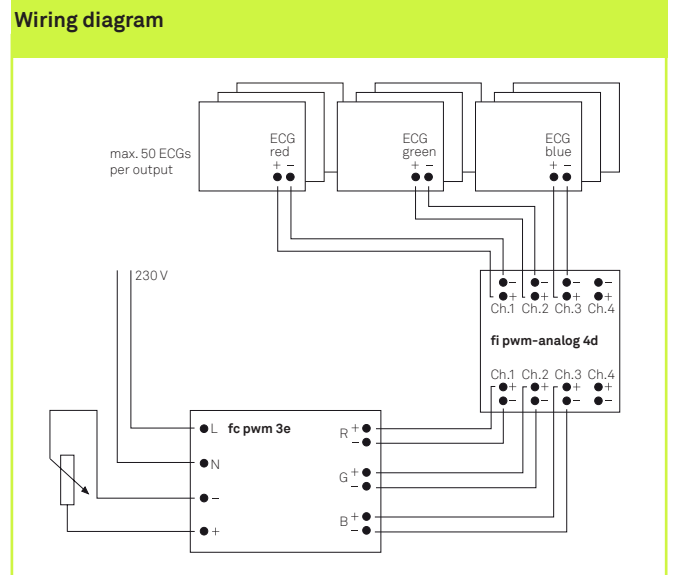


feno control  
**fc pwm 3e**  
 RGB PWM sequencer



**Technical details**

<b>Product name</b>	fc pwm 3e
<b>Item number</b>	00000011
<b>Supply voltage</b>	230 V, 50/60 Hz
<b>Current draw</b>	0.03 A max.
<b>Light programs</b>	1 (preprogrammed)
<b>Inputs</b>	1 x 1..10 V
<b>Number of outputs</b>	3
<b>Number of control channels</b>	3
<b>Output signal</b>	PWM 12 V/240 Hz
<b>Output load</b>	10 mA per output
<b>Short-circuit-proof outputs</b>	yes
<b>Temperature range</b>	-20..45 °C
<b>Dimensions (L/W/H)</b>	167 x 42 x 31 mm
<b>Weight</b>	170 g
<b>Available versions</b>	fc dali 3e, fc dsi 3e, fc s.multi 4d
<b>Compatible controllers</b>	feno interface, feno dim, feno led modules

**Colored light controller for LED dimmers or 1-10 V control gear for additive color mixing with red, green and blue fluorescent lamps.**

The result is an automatic color chase from blue to turquoise, green, yellow, red and magenta with soft fading in an endless loop. The speed of the preprogrammed chase changes as a function of the analog 1-10 V input voltage. A linear 100 kΩ potentiometer can also be used. If the control voltage is increased the chase at first runs at its highest speed and slows down as the voltage increases. At a control voltage of more than 9.8 V the current color is fixed and will not change again. Each PWM output can be loaded with up to 10 mA.