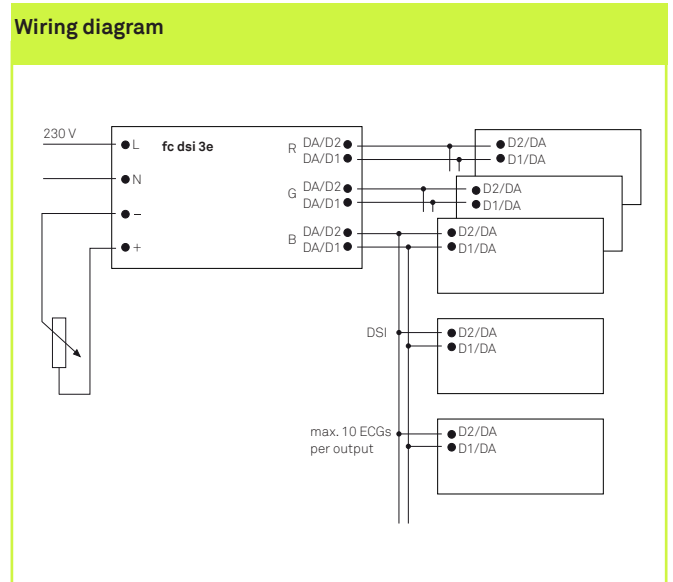


feno control
fc dsi 3e
 RGB DSI sequencer



Technical details

Product name	fc dsi 3e
Item number	00000010
Supply voltage	230 V, 50/60 Hz
Current draw	0.03 A max.
Light programs	1 (preprogrammed)
Inputs	1 x 1..10 V
Number of outputs	3
Number of control channels	3
Output signal	DSI
Output load	10 electronic ballasts per output
Short-circuit-proof outputs	yes
Temperature range	-20..45 °C
Dimensions (L/W/H)	167 x 42 x 31 mm
Weight	170 g
Available versions	fc dali 3e, fc pwm 3e, fc s.multi 4d
Compatible controllers	feno interface, feno dim, feno led modules

Colored light controller for DSI ballasts for additive color mixing with red, green and blue fluorescent lamps.

The result is an automatic color chase from blue to turquoise, green, yellow, red and magenta with soft fading in an endless loop. The speed of the preprogrammed chase changes as a function of the analog 1-10 V input voltage. A linear 100 kΩ potentiometer can also be used. In the lowest potentiometer setting or at a control voltage of less than 1.2 V all the connected ECGs are switched off. A separate mains switch is not needed. If the control voltage is increased the chase at first runs at its highest speed and slows down as the voltage increases. At a control voltage of more than 9.8 V the current color is fixed and will not change again. Up to ten ECGs can be connected to each DSI output.